



Jenkins Ball Valve Product Line

Brass:	201J	Threaded Ends Size Range 1/4" - 3" Full Port 600 CWP/150 SWP UL Listed, FM/CSA/CGA/AGA Approved*
	202J	C x C Solder Joint Ends Size Range 1/2" - 2" Full Port 2 1/2" - 3" Regular Port 600 CWP
	201SJ	Threaded Ends Size Range 1/4" - 3" Stainless Steel Trim Full Port 600 CWP/150 SWP UL Listed, FM/CSA/CGA/AGA Approved*
	202SJ	C x C Solder Joint Ends Size Range 1/2" - 2" Full Port 2 1/2" - 3" Regular Port Stainless Steel Trim 600 CWP
	21J	Threaded Ends Size Range 1/4" - 2" 400 CWP UL Listed*
	22J	C x C Solder Joint Ends Size Range 1/2" - 2" 400CWP

* See following catalog pages for size ranges of approvals and listings.

General Features and Options

Jenkins ball valves are general purpose two-piece ball valves perfectly suited for industrial and commercial applications.

- **Blow-Out Proof Stem**

The internally loaded stem has an integral thrust collar which prevents stem removal while the valve is installed.

- **Adjustable Packing**

The packing may be tightened to compensate for wear throughout the life of the valve.

- **Lever Handle**

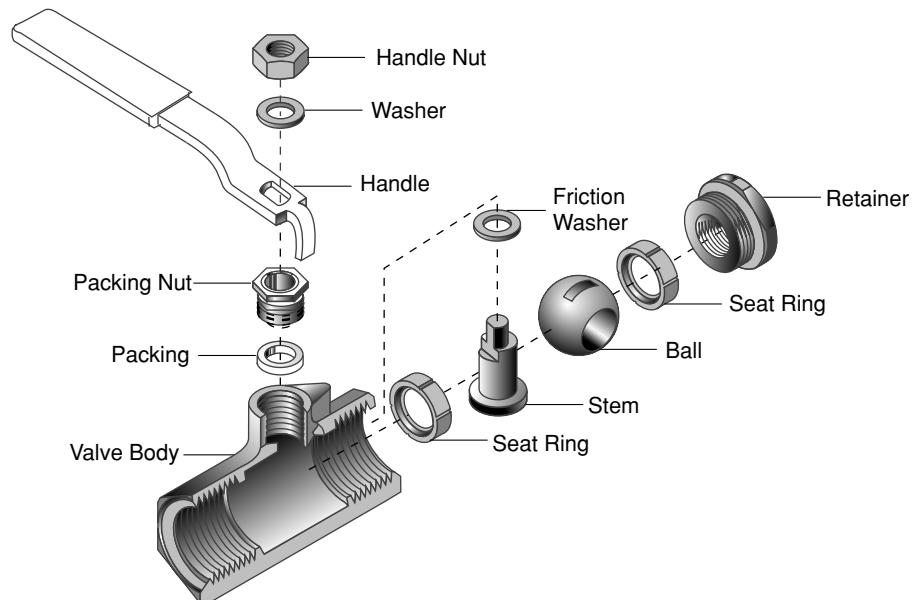
Heavy duty lever handles are standard for easy operation. All handles include a vinyl insulator sleeve for protection from high or low temperatures.

- **Options Include**

- Memory Stop
- Stem Extension/Handle Kits
- Tee Handles
- Stainless Steel Lever Handles

- **Approvals**

- 600 WOG Jenkins Ball Valves are manufactured in accordance with MSS-SP-110.
- UL Listed, FM/CSA/CGA/AGA approved models are available. See following pages for details.



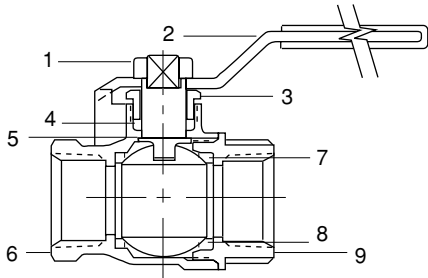


Brass Ball Valves

Figure 201J

600 CWP • Full Port • Threaded Ends

UL/FM/CSA*



Figures 201J

Size Range:

1/4 through 3 inches

Working Pressures:

600 psi Cold Working Pressure

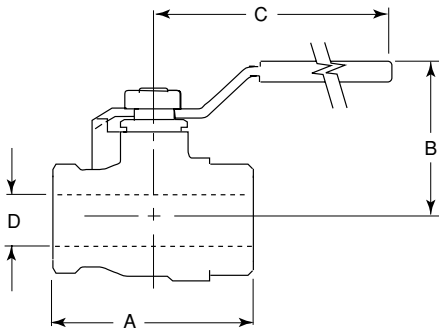
150 psi, Steam Basic Rating

Features

- Steel Lever-Handle Standard
- Blowout-Proof Stem
- UL Listed (sizes 1/4" - 2")
- FM Approved (sizes 1/2" - 2")
- CSA/CGA/AGA Approved (sizes 1/2" - 2")
- MSS-SP-110

Principal Parts & Materials

Item	Part	Material	ASTM
1	Nut	Brass	B16-C36000
2	Handle	Steel	A283-D
3	Gland	Brass	B16-C36000
4	Stem packing	PTFE	
5	Stem	Brass	B16-C36000
6	Body	1/4"-1 1/2" 2"-3" Brass Brass	B124-C37700 B584-C857
7	Ball disc packing	PTFE	
8	Ball	1/4"-1" 1 1/4" -2" 2 1/2" -3" Brass Brass Brass	B16-C36000 Chrome Plated B124-C37700 Chrome Plated B584-C857 Chrome Plated
9	End Plug	Brass	B124-C37700



Dimensions and Weights

Inches (millimeters) - pounds (kilograms)

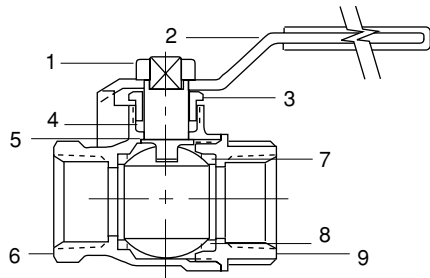
	1/4-3/8 (10-12)	1/2 (15)	3/4 (20)	1 (25)	1 1/4 (32)	1 1/2 (40)	2 (50)	2 1/2 (65)	3 (80)
A	1.81 (46)	2.00 (51)	2.36 (60)	2.87 (73)	3.31 (84)	3.62 (92)	4.21 (107)	5.04 (128)	5.83 (148)
B	1.46 (37)	1.54 (39)	1.97 (50)	2.13 (54)	2.60 (66)	2.76 (70)	3.47 (88)	3.86 (98)	4.17 (106)
C	3.31 (84)	3.31 (84)	4.65 (118)	4.65 (118)	5.28 (134)	5.28 (134)	7.87 (200)	7.87 (200)	7.87 (200)
D	0.39 (10)	0.51 (13)	0.79 (20)	0.98 (25)	1.26 (32)	1.50 (38)	1.97 (50)	2.48 (63)	2.95 (75)
WTS	0.36 (0.16)	0.42 (0.19)	0.82 (0.37)	1.26 (0.57)	2.05 (0.93)	2.82 (1.28)	4.72 (2.14)	5.75 (2.61)	8.22 (3.73)



Brass Ball Valves

Figure 201SJ

600 CWP • Full Port • Threaded Ends



Figures 201SJ

Size Range:

1/4 through 3 inches

Working Pressures:

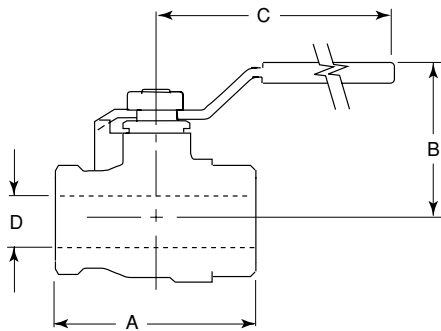
600 psi Cold Working Pressure

150 psi, Steam Basic Rating

Features

- Stainless Steel Ball & Stem
- Steel Lever-Handle Standard
- Blowout-Proof Stem
- UL Listed (sizes 1/4" - 2")
- FM Approved (sizes 1/2" - 2")
- CSA/CGA/AGA Approved (sizes 1/2" - 2")
- MSS-SP-110

Principal Parts & Materials



Item	Part	Material	ASTM
1	Nut	Brass	B16-C36000
2	Handle	Steel	A283-D
3	Gland	Brass	B16-C36000
4	Stem packing	PTFE	
5	Stem	Type 316 SS	
6	Body	1/4"-1 1/2" 2"-3" Brass Brass	B124-C37700 B584-C857
7	Ball disc packing	PTFE	
8	Ball	1/2"-2" 316 SS	
9	End Plug	Brass	B124-C37700

Dimensions and Weights

Inches (millimeters) - pounds (kilograms)

	1/4-3/8 (10-12)	1/2 (15)	3/4 (20)	1 (25)	1 1/4 (32)	1 1/2 (40)	2 (50)	2 1/2 (65)	3 (80)
A	1.81 (46)	2.00 (51)	2.36 (60)	2.87 (73)	3.31 (84)	3.62 (92)	4.21 (107)	5.04 (128)	5.83 (148)
B	1.46 (37)	1.54 (39)	1.97 (50)	2.13 (54)	2.60 (66)	2.76 (70)	3.47 (88)	3.86 (98)	4.17 (106)
C	3.31 (84)	3.31 (84)	4.65 (118)	4.65 (118)	5.28 (134)	5.28 (134)	7.87 (200)	7.87 (200)	7.87 (200)
D	0.39 (10)	0.51 (13)	0.79 (20)	0.98 (25)	1.26 (32)	1.50 (38)	1.97 (50)	2.48 (63)	2.95 (75)
WTS	0.36 (0.16)	0.42 (0.19)	0.82 (0.37)	1.26 (0.57)	2.05 (0.93)	2.82 (1.28)	4.72 (2.14)	5.75 (2.61)	8.22 (3.73)

600 CWP • Solder Joint Ends

Figure 202J

Size Range:

1/2 through 3 inches

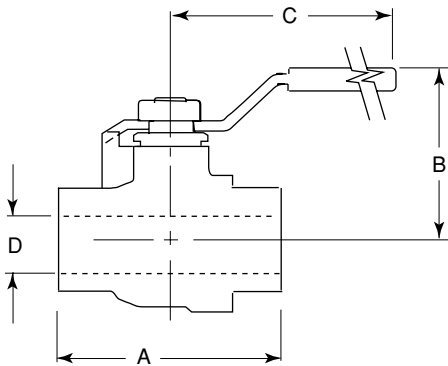
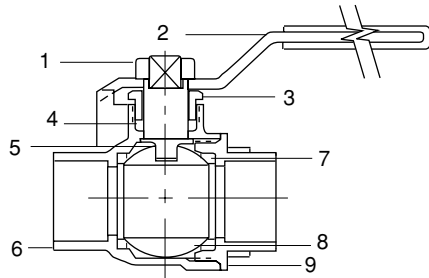
Working Pressures:

600 psi Cold Working Pressure (1/2"-2")

400 psi Cold Working Pressure (2 1/2"-3")

Features

- Full Port: 1/2" – 2"
- Regular Port: 2 1/2" – 3"
- Blowout-Proof Stem
- Steel Lever Handle Standard
- MSS-SP-110



Principal Parts & Materials

Item	Part	Material	ASTM
1	Nut	Brass	B16-C36000
2	Handle	Steel	A283-D
3	Gland	Brass	B16-C36000
4	Stem packing	PTFE	
5	Stem	Brass	B16-C36000
6	Body	1/4"-11/2" 2"-3" Brass	B124-C37700 B584-C857
7	Ball disc packing	PTFE	
8	Ball	1/4"-1" 1 1/4"-2" 2 1/2"-3" Brass Brass Brass	B16-C36000 Chrome Plated B124-C37700 Chrome Plated B584-C857 Chrome Plated
9	End Plug	Brass	B124-C37700

Dimensions and Weights

Inches (millimeters) - pounds (kilograms)

	1/2 (15)	3/4 (20)	1 (25)	1 1/4 (32)	1 1/2 (40)	2 (50)	2 1/2 (65)	3 (80)
A	1.93 (49)	2.75 (70)	3.31 (84)	3.78 (96)	4.29 (109)	5.31 (135)	*	*
B	1.53 (39)	1.97 (50)	2.13 (54)	2.60 (66)	2.76 (70)	3.46 (88)	*	*
C	3.31 (84)	4.65 (118)	4.65 (118)	5.28 (134)	5.28 (134)	7.87 (200)	*	*
D	0.51 (13)	0.78 (20)	0.98 (25)	1.26 (32)	1.50 (38)	1.97 (50)	*	*
WTS	0.37 (0.17)	0.77 (0.35)	1.15 (0.52)	1.94 (0.88)	2.67 (1.21)	4.41 (2.00)	5.09 (2.31)	7.58 (3.44)

600 CWP • Solder Joint Ends

Figure 202SJ

Size Range:

1/2 through 3 inches

Working Pressures:

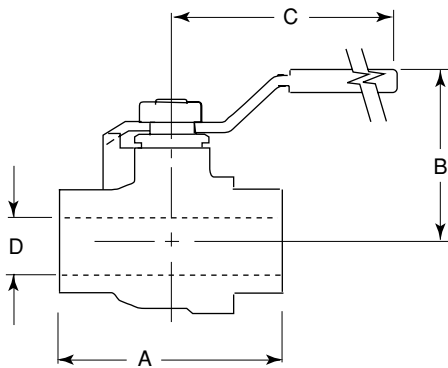
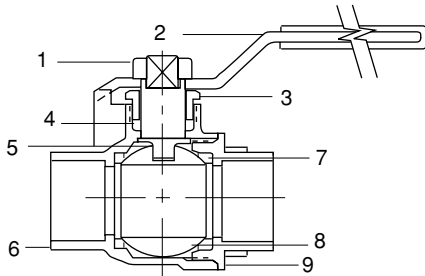
600 psi Cold Working Pressure (1/2"-2")

400 psi Cold Working Pressure (2 1/2"-3")

Figure 202SJ has stainless steel ball and stem.

Features

- Stainless Steel Ball & Stem
- Full Port: 1/2" – 2"
- Regular Port: 2 1/2" – 3"
- Blowout-Proof Stem
- Steel Lever Handle Standard
- MSS-SP-110



Principal Parts & Materials

Item	Part	Material	ASTM
1	Nut	Brass	B16-C36000
2	Handle	Steel	A283-D
3	Gland	Brass	B16-C36000
4	Stem packing	PTFE	
5	Stem	Type 316 SS	
6	Body	1/4"-11/2" 2"-3" Brass Brass	B124-C37700 B584-C857
7	Ball disc packing	PTFE	
8	Ball	1/2"-2" 316 SS	
9	End Plug	Brass	B124-C37700

Dimensions and Weights

Inches (millimeters) - pounds (kilograms)

	1/2 (15)	3/4 (20)	1 (25)	1 1/4 (32)	1 1/2 (40)	2 (50)	2 1/2 (65)	3 (80)
A	1.93 (49)	2.75 (70)	3.31 (84)	3.78 (96)	4.29 (109)	5.31 (135)	*	*
B	1.53 (39)	1.97 (50)	2.13 (54)	2.60 (66)	2.76 (70)	3.46 (88)	*	*
C	3.31 (84)	4.65 (118)	4.65 (118)	5.28 (134)	5.28 (134)	7.87 (200)	*	*
D	0.51 (13)	0.78 (20)	0.98 (25)	1.26 (32)	1.50 (38)	1.97 (50)	*	*
WTS	0.37 (0.17)	0.77 (0.35)	1.15 (0.52)	1.94 (0.88)	2.67 (1.21)	4.41 (2.00)	5.09 (2.31)	7.58 (3.44)

400 CWP • Threaded Ends - Regular Port

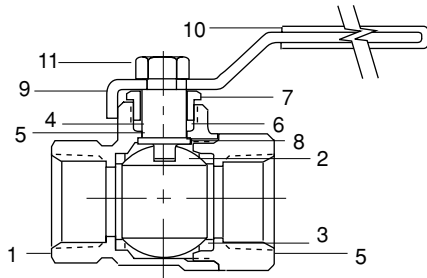


Figure 21J

Size Range:

1/4 through 2 inches

Working Pressures:

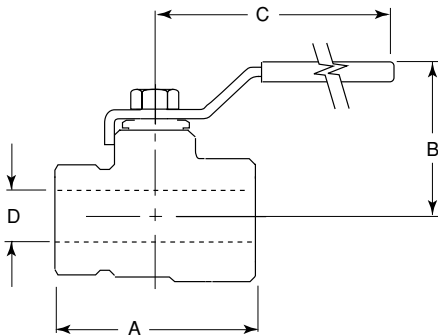
400 psi Cold Working Pressure

Features

- Threaded Ends
- Regular Port
- Blowout Proof Stem
- PTFE Seats and Packing
- UL Approved

Principal Parts & Materials

Item	Part	Material	ASTM
1	Body 1/2"-1 1/2" Body 2"	Brass Brass	B16 C36000 B584 C857
2	Ball 1/2"-1" Ball 1 1/4"-2"	Brass Brass	B16 C36000 Chrome Plated B124 C37700 Chrome Plated
3	Seat ring	PTFE	
4	Stem	Brass	B16 C36000
5	Retainer	Brass	B124 C37700
6	Packing	PTFE	
7	Packing Nut	Brass	B16 Alloy 360
8	Friction washer	PTFE	
9	Handle	Steel-Zinc plated	A263-D
10	Handle cover	Vinyl	
11	Handle nut	Steel-AISI1010	



Dimensions and Weights

Inches (millimeters) - pounds (kilograms)

	1/4 (10)	3/8 (12)	1/2 (15)	3/4 (20)	1 (25)	1 1/4 (32)	1 1/2 (40)	2 (50)
A	1.65 (42)	1.65 (42)	1.89 (48)	2.21 (56)	2.48 (63)	2.91 (74)	3.31 (84)	3.66 (93)
B	1.46 (37)	1.46 (37)	1.46 (37)	1.58 (40)	1.97 (50)	2.13 (54)	2.60 (66)	2.76 (70)
C	3.14 (84)	3.14 (84)	3.31 (84)	3.31 (84)	4.65 (118)	4.65 (118)	5.28 (134)	5.28 (134)
D	.39 (10)	.39 (10)	0.51 (10)	0.59 (15)	0.79 (20)	1.00 (25)	1.26 (32)	1.50 (38)
WTS	.28 (.12)	.28 (.12)	0.33 (0.15)	0.50 (0.23)	0.86 (0.39)	1.25 (0.57)	2.00 (0.91)	2.50 (1.14)

400 CWP • Solder Joint Ends - Regular Port

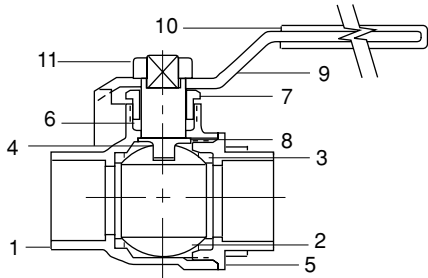


Figure 22J

Size Range:

1/2 through 2 inches

Working Pressures:

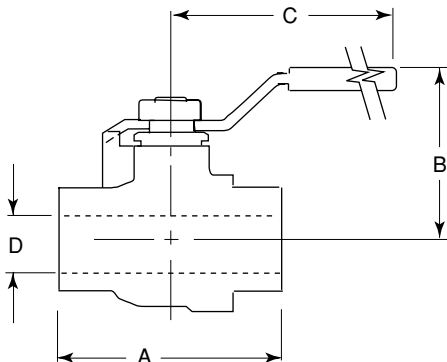
400 psi Cold Working Pressure

Features

- Solder Ends
- Regular Port
- Blowout Proof Stem
- PTFE Seats and Packing

Principal Parts & Materials

Item	Part	Material	ASTM
1	Body 1/2"-11/2" Body 2"	Brass Brass	B16 C36000 B584 C857
2	Ball 1/2"-1" Ball 11/4"-2"	Brass Brass	B16 C36000 Chrome Plated B124 C37700 Chrome Plated
3	Seat ring	PTFE	
4	Stem	Brass	B16 C36000
5	Retainer	Brass	B124 C37700
6	Packing	PTFE	
7	Packing Nut	Brass	B16 Alloy 360
8	Friction washer	PTFE	
9	Handle	Steel-Zinc plated	A263-D
10	Handle cover	Vinyl	
11	Handle nut	Steel-AISI1010	



Dimensions and Weights

Inches (millimeters) - pounds (kilograms)

	1/2 (15)	3/4 (20)	1 (25)	1 1/4 (32)	1 1/2 (40)	2 (50)
A	1.89 (48)	2.64 (67)	3.07 (78)	3.43 (87)	4.02 (102)	4.80 (122)
B	1.46 (37)	1.58 (40)	1.97 (50)	2.13 (54)	2.60 (66)	2.76 (70)
C	3.31 (84)	3.31 (84)	4.65 (118)	4.65 (118)	5.28 (134)	5.28 (134)
D	0.51 (10)	0.59 (15)	0.79 (20)	1.00 (25)	1.26 (32)	1.50 (38)
WTS	0.26 (0.12)	0.46 (0.21)	0.82 (0.37)	1.05 (0.48)	1.83 (0.83)	2.75 (1.25)

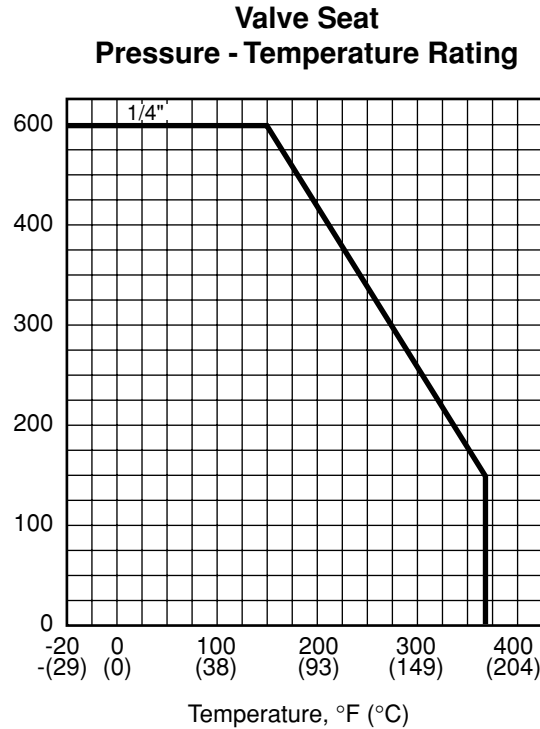


Brass Ball Valves

Figure 201J Figure 202J
Figure 201SJ Figure 202SJ

Pressure/Temperature Ratings

600 CWP



Optional Accessories

- **Memory Stop Handles**
- **Extensions Stems**
- **Tee Handles**
- **Stainless Steel Lever Handles**